



● Operating Weight	13800kg
● Bucket Capacity	2.0~3.0m <sup>3</sup>
● Rated Load	4000kg
● Breakout Force	110kN
● Traction Force	120kN
● Static Tipping Load ( full 35°)	80.8kN

- Excellent productivity
- Powerful breakout & traction force
- Advanced full hydraulic steering system with flow amplified
- Fast hydraulic cycle time
- Comfortable cab with air conditioner



Engine	Model	D6114ZG9B		
	Type	water-cooled, I-arrangement, direct injection, turbocharger, 4-stroke diesel engine		
	Number of cylinder	6		
	Bore x stroke	114 x 135mm		
	Displacement	8.27L		
	Rated power	125kW(169hp)		
	Rated turn speed	2200r/min		
	Max. torque	650N.m@1300-1400rpm		
	Fuel consumption	226g/kW.h		
	Governor	centrifugal, all speed governor		
Cooling system	forced circulation by centrifugal pump, pusher type fan			
Driving system	Torque converter	Type	Double Turbine	
		Torque ratio	4	
	Transmission	Type	Planetary type, clutch with multiple discs, full power shift, force to lubricate	
		Pressure of transmission	1.1~1.5MPa	
	Driving axle	Major reducer	type	spiral bevel, 1-stage reduction
			speed ratio	5.286
		Final reducer	type	1-stage planetary reduction
speed ratio			3.667	

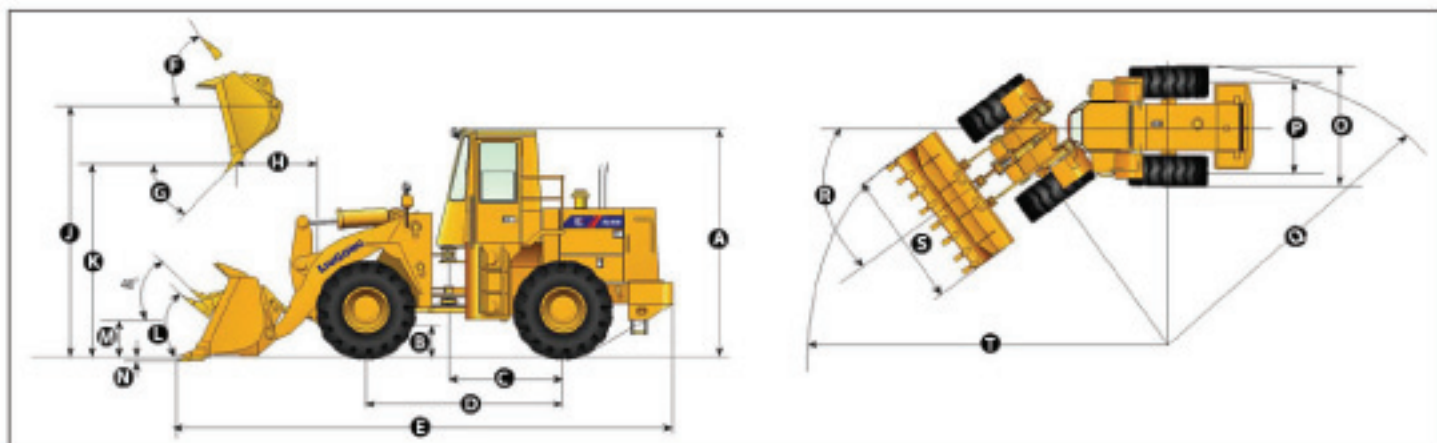
Speed(Km/h)		Gear 1	Gear 2
	Forward	0-10	0-35
	Reverse	0-13	
Steering	Type	articulated frame, full hydraulic power with flow amplified system, full-flow filtering	
	Steering angle	±35°	
	Setting pressure	12MPa	
	Flow	134.4L/min@1680rpm	
Brake	Driving brake	caliper discs, air-hydraulic actuated on all four wheel	
	Parking brake	shoe-braker, applied by manual/air control	
	Emergency brake	using parking brake, applied by air pressure control	
	Maximum oil pressure	12.3MPa	
Hydraulic system	Air pressure	0.71~0.784MPa	
	Working pump	CBG3140 or CBGJ3140	
	Displacement of working pump	140ml/r	
	Control valve	FPF32	
	Type	double valve	
	Setting pressure	16.0MPa	
	Hydraulic cycle time (s)		
	Raise	Dump	Lower(empty, float down) Total
	6.5	1.6	3.0 11.1

ZL40B with fork or side bucket		
Specifications	fork	side bucket
Overall length	7378mm	7195mm
Overall width	2470mm	2700mm
Overall height	3337mm	3337mm
Dump height	2650mm	Obverse dump: 2640mm
		Side dump: 2930mm
Dump reach	1430mm	Obverse dump: 1110mm
Rated load	4000kg	3600kg
Bucket capacity		1.8m <sup>3</sup>
Clipping diameter:	850mm(log fork) / 320mm(pipe fork)	
Operating weight	14500kg	14500kg

Equipment	● standard	▲ optional
● D6114ZG9B		▲ Log fork
● Liugong transmission		▲ Pipe fork
● Liugong Axles		▲ Side-dump bucket
● General cab		▲ Rock bucket
● Air conditioner		▲ 2.6m <sup>3</sup> light material bucket
● 2.2m <sup>3</sup> General bucket		
● 20.5-25 tyres		

**Dimensions with Bucket**

A: Height to top of cab and canopy	3337mm	H: Dump reach	1000mm	P: Tread width	1900mm
B: Ground clearance	448mm	J: Hinge pin height at full lift	3915mm	Q: Turning radius outside tires	5446mm
C: Machine center point to rear axle	1850mm	K: Dump height	2810mm	R: Maximum steering angle (each side)	35°
D: Wheelbase	2750mm	L: Maximum rollback at ground	43°	S: Bucket width	2706mm
E: Overall length	7034mm	M: Hinge pin height at carry position	400mm	T: Turning radius outside bucket	6530mm
F: Maximum rollback at full height	58.5°	N: Maximum digging depth	40mm		
G: Bucket dump at full height	45°	O: Width over tires	2470mm		



Specifications and design are subject to change without prior notice.  
Machines shown may include optional equipment.